

**CYCLE SHELTERS**  
**&**  
**CYCLE PARKING**

The type 901 cycle shelter is a very robust modular shelter, designed and manufactured in Derbyshire. This shelter can accommodate cycles or motorcycles. The shelter can be clad in either PET transparent glazing or Plastisol Steel coated panels.

Standard size is 4m long x 2.2m wide x 2m high. However the shelter is modular, therefore modules can be added taking it to 8m or 12m long if required. Each 4m shelter can accommodate up to a maximum of 10 bicycles.

All shelters are supplied galvanised or powder coated. They are supplied ready for self assembly or take advantage of our complete full installation service.

Why not tell us how many cycles you need to house, we will recommend the size, manufacture in house, deliver and install the complete unit. This can include concrete pads or a full concrete base if required.

#### Options

- 4, 8, 12 metres long
- Standard Unit fits 10 bicycles
- Supplied galvanised or polyester powder coated
- Base plate or roof fixed
- Integral or floor mounted cycle stands
- Standard or heavy duty construction
- Glazed end panels (optional)
- Clear PET glazing or Plastisol coated solid panels
- A range of cycle racks are also available to suit
- Installation service







The type 920 cycle shelter is a very robust modular shelter, designed and manufactured in Derbyshire to accommodate cycles or motorcycles. The shelter can be clad in either PET transparent glazing or Plastisol Steel coated panels.

Standard size is 4m long x 2.2m wide x 2.2m high. However the shelter is modular, therefore modules can be added taking it to 8m or 12m long if required.

Each 4m shelter can accommodate up to a maximum of 10 bicycles.

All shelters are supplied galvanised or powder coated in any RAL or BS colour. They are supplied ready for self assembly, or why not take advantage of our complete full installation service.

Why not tell us how many cycles you need to house, we will recommend the size, manufacture in house, deliver and install the complete unit. This can include concrete pads or a full concrete base if required.

### Options



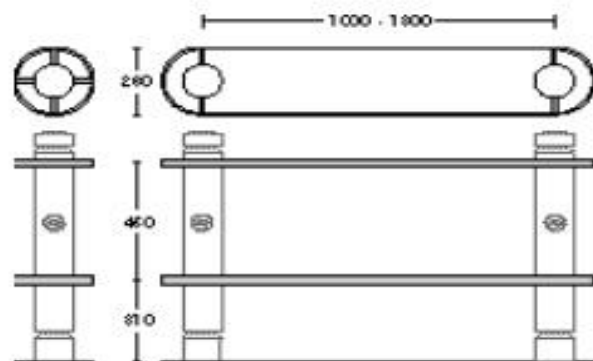


BESPOKE

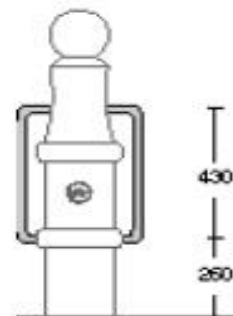


# Cycle parking

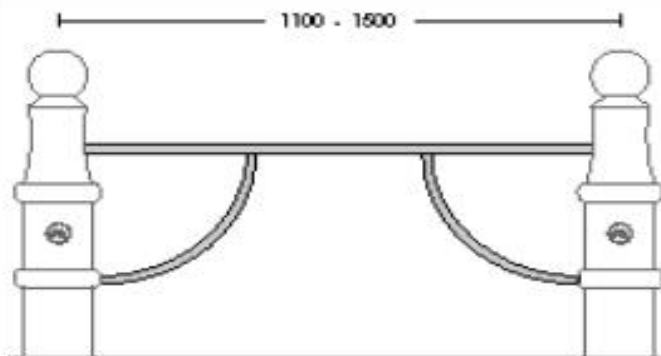
180  
181



182

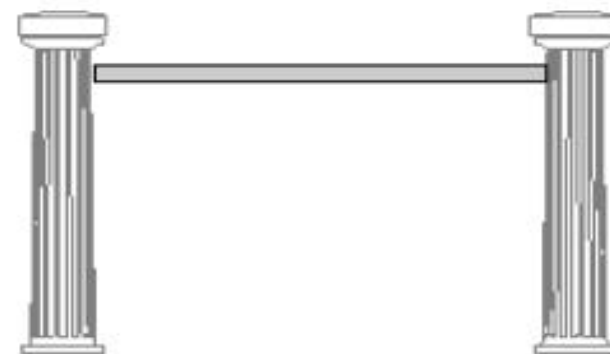


183



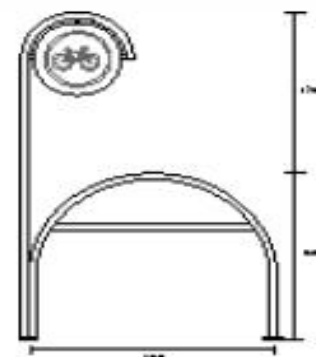


184



The systems shown above (180 to 184) are supplied to fit most of our range of bollards.

185

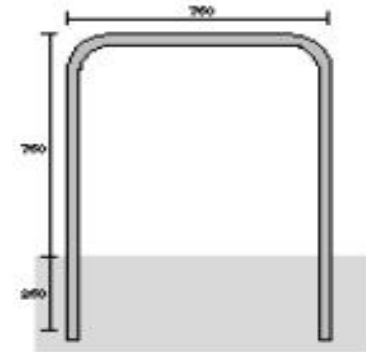


Steel. 1950mm wide, 1600 high, 3380mm high to top of logo post

186



187



Available as 187 (steel, 250mm root), 187 (steel, flanged) and 187ss (stainless steel, 250mm root). All 750mm wide, 750mm high

187SS-D



Stainless steel - 'D' shaped profile  
Height: 850mm  
Width: 1000mm  
Root: 300mm  
Dia: 48mm, 2.77mm wall