



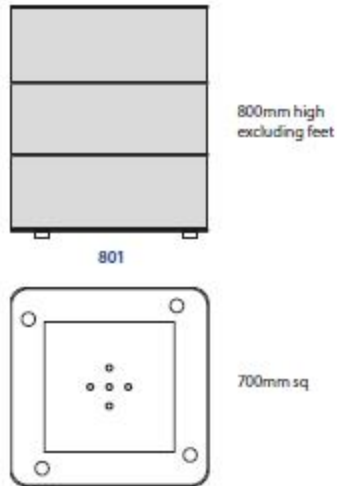
Planters

Cast

Steel

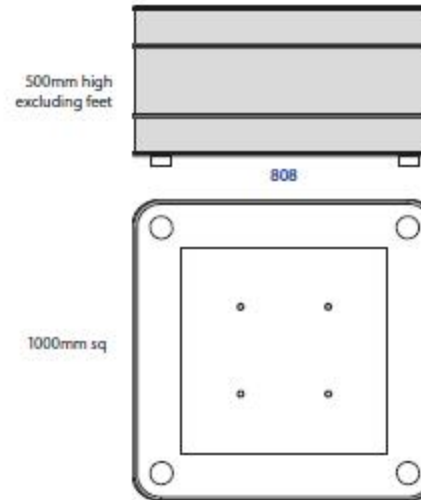
Timber / cast

Planters



8.2

Planters



8.3

CAST PLANTERS

Type 808 planter offers a much shallower planting depth and is wider at the base. This would not be suitable for planting small trees. However it would function superbly with a combination of shrubs, mature plants and bedding plants.

Cast planters are ideal for customisation and are easily adapted with the additions of crests and logos. Colour can also be personalised with the raised bands being picked out in a contrasting style.

Given the longevity of cast iron, with simple maintenance these cast planters should be capable of giving people pleasure for many years.

TIMBER / CAST PLANTERS

Design type 852 utilises shapes taken from our best-selling 106 type bollard. This can be used to complement other Street Furniture within a scheme.

Any bollard from our standard range can be adapted for this application.

For assistance with your choice please contact our sales office.

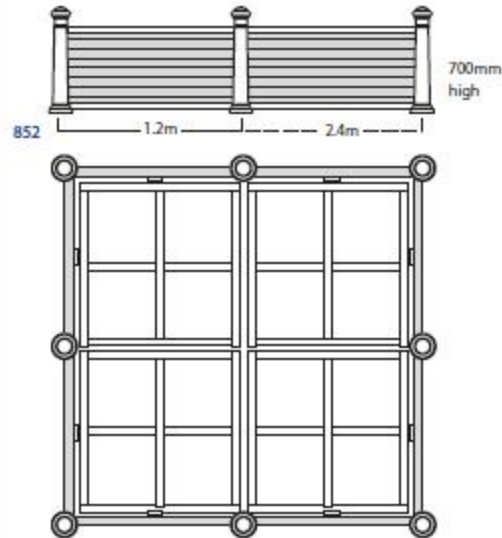
This design shares all the attributes of our type 850 planter and includes GRP liners.

Alternative lining materials include mesh liners, plastic or damp proof membranes.

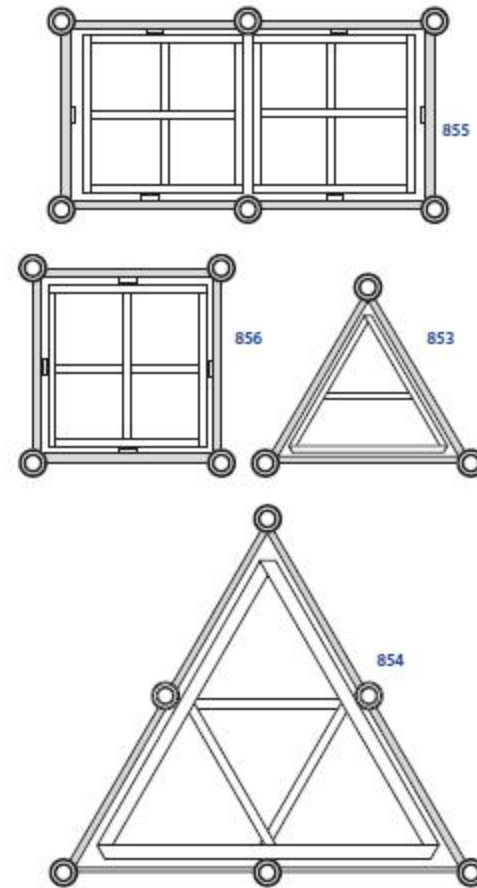


8.6

Planters



Planters



TIMBER / CAST PLANTERS

Designers can use all of the 850 series of planters to give originality to a project. Many differing configurations are available.

A small selection is shown opposite.

Have you considered an 'L' shape arrangement? Or how about using them as traffic management within a traffic calming scheme?

Our triangular planter type 853 and 854 would make an excellent traffic management aid. Their sheer weight would make them immovable without lifting equipment. Give way or keep left signs can be attached and reflective tape/paint can be added for extra night-time visual awareness.

For guidance on how to use these products within your project give our sales office a call.

8.7

CONTACT US

V.G.SALES,
CB – 195 , RING ROAD,
NARAINA,
New Delhi – 110028
Ph. 011-25778093

Mail: info@vgsales.in

Web : www.vgsales.in , www.moldosports.com

For V.G.Sales,
Mr. Shakti Singh
(Manager)

(M): 9958250808

Mail : shakti.altro@gmail.com